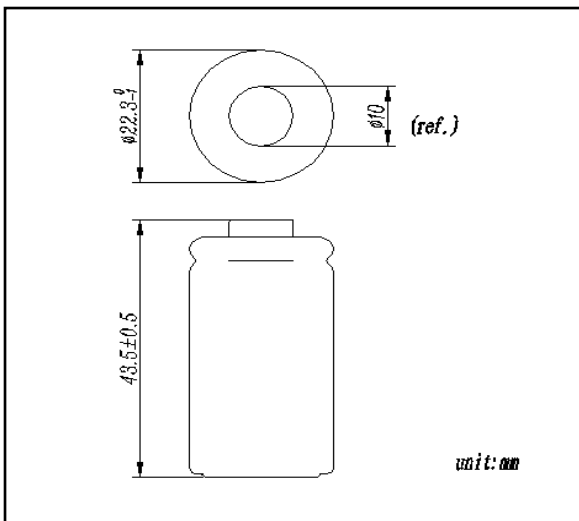


This document describes the Specification of the Ni-MH SC3300HD

单体电池规格 Specifications of single cell

标称电压 Nominal voltage		1.2V	
标称容量 Nominal Capacity		3300mAh	
尺寸 Dimensions	mm		
	直径 Diameter	22.3 ^{-0.2}	
	高度 Height	43.5 ^{±0.5}	
大约重量 Weight(Approximately)		克 gram 53.3	
内阻 Internal Impedance At 1000 Hz		≤3mΩ (充电后 After Charge)	
充电 Charge	标准 Standard	330mA(0.1CA)×14h	
	快速 Rapid	3300mA(1.0CA)×1.1h	
放电 Discharge	持续 continuous	Max 66A(20C)	
	瞬间 momentary	Max 66A	
环境温度 Ambient temperature	°C		
	充电 Charge	标准 standard	0°C to 40°C
		快速 Rapid	10°C to 40°C
	放电 Discharge	-20°C to 50°C	
贮藏 Storage	-20°C to 35°C		

单颗电池尺寸包括 PVC (Dimensions with tube)



备注 Note:

- 标称容量是指 20°C 时 0.2CA 放电容量
Nominal capacity, rated at 0.2CA 20°C.
- 容量只作为参考
Average capacity, for reference only.
- 重量和内阻也仅作为参考
Weight and internal impedance are For reference only.
- 寿命测试依照 IEC 标准
Standard according as IEC of test cycle life.

典型特征 Typical characteristics

